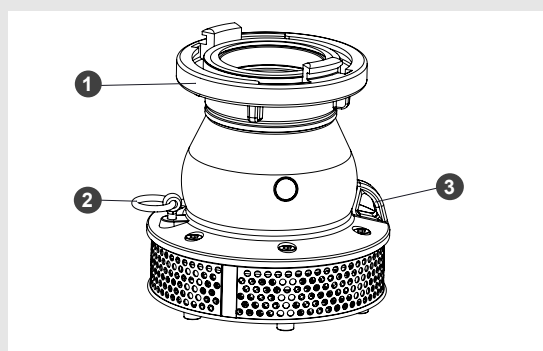




## Suction Strainers - DIN 14362



Suction strainers are used for water supply from open water sources and prevent the intake of dirt and solid particles.

### General Data

|              |   |
|--------------|---|
| Manufacturer | JMW Fire d.o.o.                                 |
| Model        | With built-in non-return valve                  |
| Types        | C; B; A;125;150                                 |
| Standard     | DIN 14362                                       |
| Material     | Powder coated aluminium alloy + stainless steel |

|   |                            |
|---|----------------------------|
| 1 | Coupling                   |
| 2 | Check valve release lever  |
| 3 | Carabiner attachment point |

### Technical Data

| Types (Size)          | C   | B           | A           | 125         | 150         |
|-----------------------|---|-------------|-------------|-------------|-------------|
| Outlet                | Storz, BSP, BI, DSP, NH and other coupling systems available! |             |             |             |             |
| Outlet Storz          | C-52  | B-75        | A-110       | 125         | F-150       |
| Dimensions LxWxH (mm) | 143x143x223   | 190x190x236 | 232x232x257 | 281x281x335 | 312x312x375 |
| Diameter (mm)         | 143   | 190         | 232         | 281         | 312         |
| Weight (kg)           | 1,5   | 2,8         | 5,3         | 8,6         | 11,2        |
| ID No. (Storz)        | 1013501   | 1013504     | 1013507     | 1013541     | 1013535     |

Subject to technical modifications and errors - Illustrations for reference only.

