



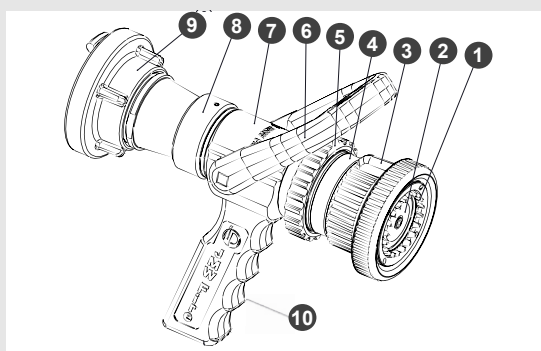
Turbomatic - DIN EN 15182

Hollow jet nozzle with adjustable spray pattern and selectable constant flow rate for effective and safe firefighting.

General Data

| | |
|--------------|--|
| Manufacturer | JMW Fire d.o.o. |
| Model | Turbomatic (TM) |
| Types | TM 100; 180; 235; 400; 500; 750; 1000 |
| Standard | DIN EN 15182-2 Functional Category 3 |
| Material | Powder coated and anodized aluminium alloy + brass |

| | | | |
|---|---------------------------------|----|------------------|
| 1 | Turbulator | 6 | Shut off lever |
| 2 | Disk | 7 | Housing |
| 3 | Rubber Protection Ring | 8 | Swivel inlet |
| 4 | Jet selector with pointer | 9 | Coupling |
| 5 | Flow rate selector with pointer | 10 | Removable handle |



Technical Data

| Types | TM 100 | TM 180 | TM 235 | TM 400 | TM 500 | TM 750 | TM 1000 |
|----------------------------|---|---------------|----------------|-----------------|-----------------|-----------------|------------------|
| Inlets | Storz, BSP, BI, DSP, NH and other coupling systems available! | | | | | | |
| Inlet Storz | D-25 | C-52 | C-52 | C-52 | B-75 | B-75 | B-75 |
| Dimensions LxWxH (mm) | 220x245x100 | 220x245x100 | 280x258x110 | 280 x 253 x 110 | 280x258x110 | 396x275x115 | 396x275x115 |
| Weight (kg) | 1,45 | 1,61 | 2,43 | 2,43 | 2,59 | 3,5 | 3,5 |
| Nominal Pressure | 16 | 16 | 16 | 16 | 16 | 16 | 16 |
| Turbo Wheel | Yes | Yes | Yes | Yes | Yes | No | No |
| Spray Angle | 0-150° | 0-150° | 0-110° | 1-110° | 0-110° | 0-120° | 0-120° |
| Flow Rate (l/min at 6 bar) | 40-60-80-100 | 40-80-130-180 | 80-130-180-235 | 100-200-300-400 | 100-250-350-500 | 360-475-550-750 | 400-600-800-1000 |
| Spray Pattern | Solid cone | Solid cone | Solid cone | Solid cone | Solid cone | Solid cone | Solid cone |
| ID No. (Storz) | 1012863 | 1012841 | 1012786 | 1012715 | 1012753 | 1012782 | 1012855 |

Subject to technical modifications and errors - Illustrations for reference only.

